



INSTRUCTIONS FOR INSTALLATION OF BATTERY RELOCATOR KITS

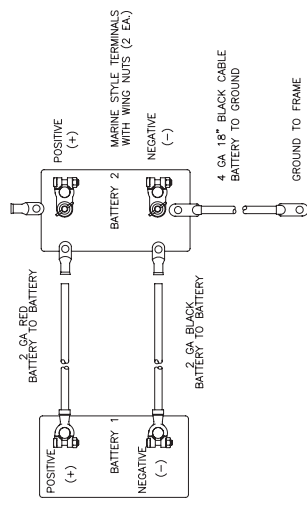
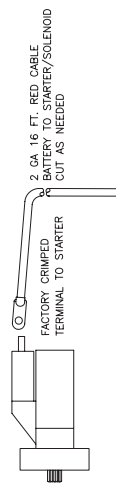
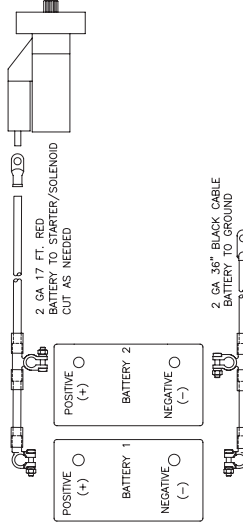
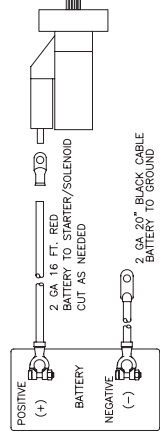
Part No. 48000 Single Trunk Mount Kit
 Part No. 48500* Side by Side Dual Mount Kit
 Part No. 48600* Pro Comp Dual Mount Kit

* Note: May require the use of a Battery Isolator (not included) for proper charging of battery.

1.
 - a. Determine location where battery(-ies) are to be mounted. Mark mounting holes for battery tray(s) with center punch.
 - b. Check that all gas lines, brake lines, and other critical components are clear before drilling.
 - c. Drill 5/16 inch diameter holes. Secure Battery Tray to trunk floor with a minimum of (4) 5/16" bolts. (not provided)

CAUTION: Do not mount battery over gas tank or spare tire. Do not perform operations on battery cables while they are attached to the battery.

2.
 - a. Place battery on Battery Tray and place "H" Frame Hold Down over battery.
 - b. Install 3/8 inch Threaded J-bolts, Washers and secure with Wing Nuts.
3.
 - a. Plan route of Battery Cables, avoiding objects that would damage cable.
 - b. Look for areas that offer structural protection and allow for anchor points.
 - c. Lay out cable and measure length.
 - d. Cut cables at length desired, allowing for bends and stripping of cable end for Eyelet Terminal.
4. For applications where the battery or starter cable passes through a firewall or floor, drill an 1 1/16" hole and install a Rubber Grommet. Note: Route cable through the Grommet before installing the Eyelet Terminal. Tip: to easily pass cable through Grommet, use liquid dish soap as a lubricant.
5.
 - a. After final routing is determined, anchor the cable in place with the Nylon Cable Supports.
 - b. To install Eyelet Terminal on cable, strip cable insulation 5/8 inch.
 - c. Attach copper lug by crimping or soldering. For a professional look, use Red Shrink Tube to cover the Terminal/Cable joint.
6. Ground Cable should be hooked up last, and bolted to a clean, paint free area of the floor, frame, or roll bar.



TAYLOR CABLE PRODUCTS, INC
 301 HIGHGROVE ROAD, GRANDVIEW MO 64030
 PHONE 1.816.765.5011 FAX 1.816.765.2452 www.taylorvertex.com