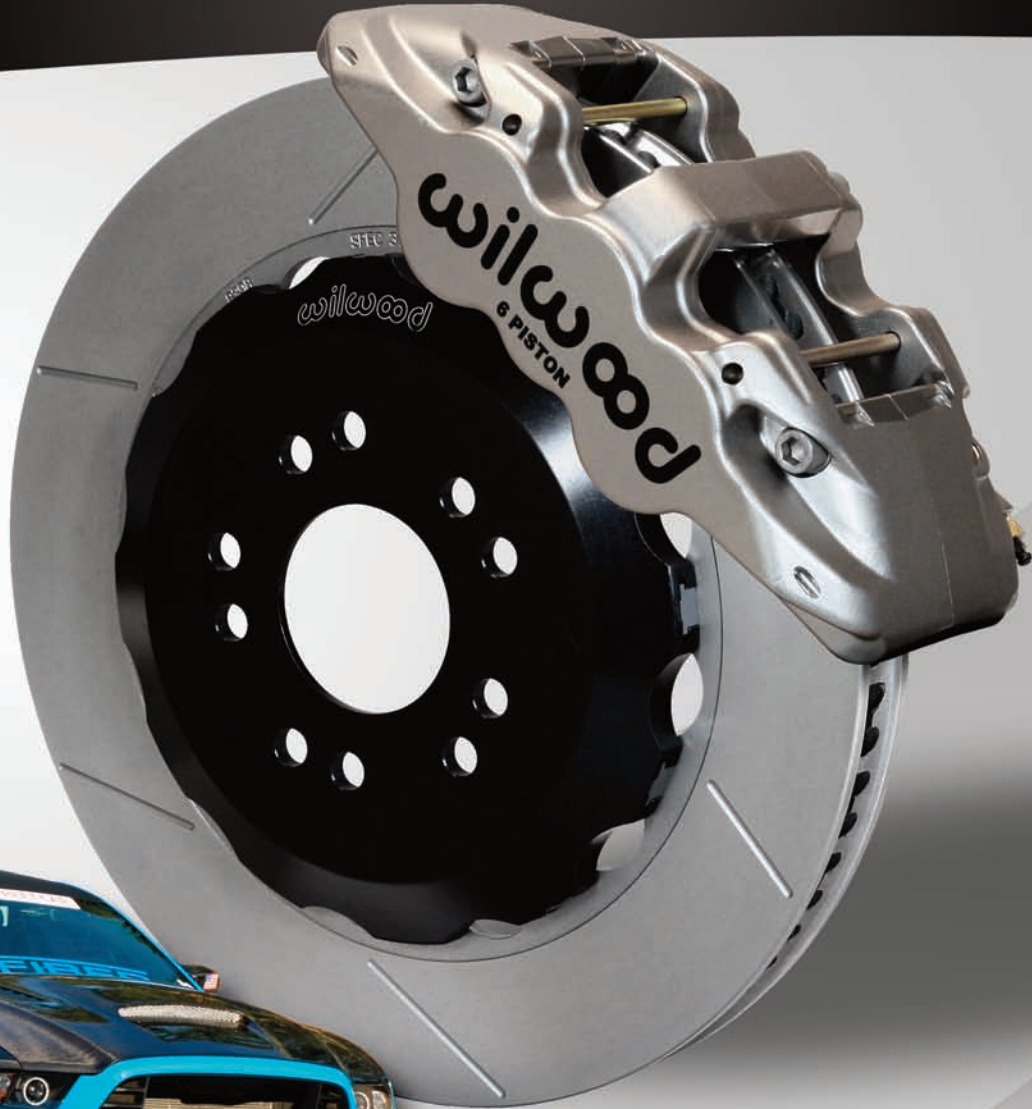




# FORD MUSTANG • 2005-2014 AEROLITE 6R/ST ROAD RACE FRONT BRAKE KIT

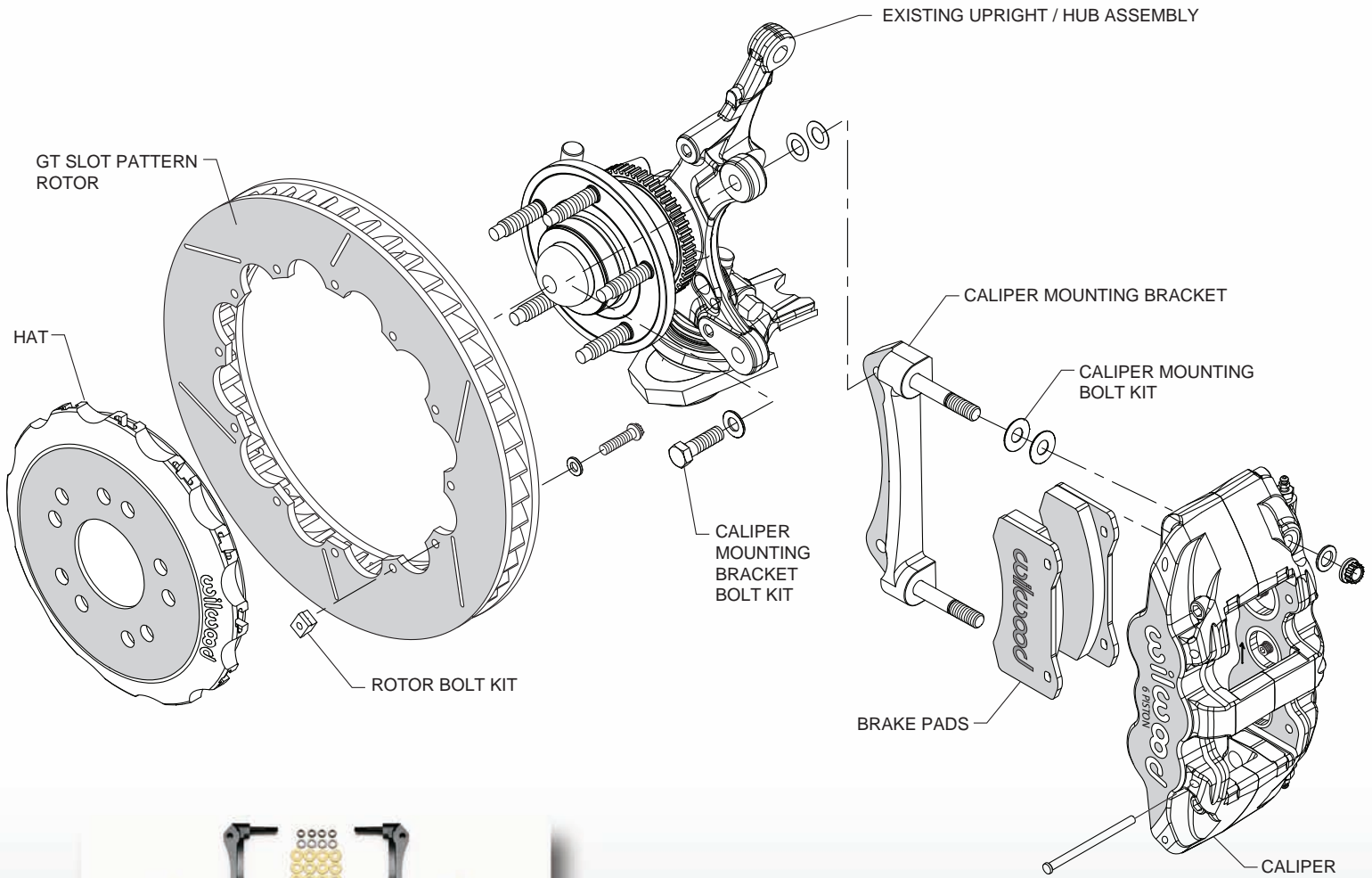
**Aerolite Quick-Silver 6R/ST**  
six piston caliper road race  
brake kits provide ultimate  
durability, heat management,  
and championship  
performance for SCCA T1,  
NASA AI, AIX, and all similar  
categories using Mustang  
production spindle based  
front suspensions with  
14" rotors.



## Kit Features



- Aerolite Quick Silver 6R/ST forged aluminum nickel plate finish calipers with Thermlock® pistons and internal dampening springs
- Two-piece **Spec 37** alloy 14" SV-GT staggered directional vane rotors
- Dynamic floating style aluminum rotor hats with t-nuts and bolts
- PolyMatrix 6620 "H" 20mm race compound brake pads with optional tuning compounds available
- Fully compatible with the OE ABS system and master cylinder output
- Radial mount brackets with premium grade hardware for direct mounting to the OE caliper position
- Stainless steel braided flexlines with DOT type reinforced coupler ends and protective outer jacket included
- Optional piston size calipers available for cars converted to manual pedals with balance bars
- Easy bolt-on kit complete with detailed installation guide



**PLEASE CHECK:** WILWOOD ALWAYS RECOMMENDS CHECKING [www.wilwood.com](http://www.wilwood.com) FOR COMPLETE YEAR/MAKE/MODEL APPLICATION DATA AND SPECIFIC WHEEL CLEARANCE REQUIREMENTS.

**ORDERING INFORMATION:**

PART NUMBER	DESCRIPTION
<a href="#">140-13882-N</a>	Aerolite Quick-Silver 6R/ST Front Road Race Kit, 2005-2014 Ford Mustang