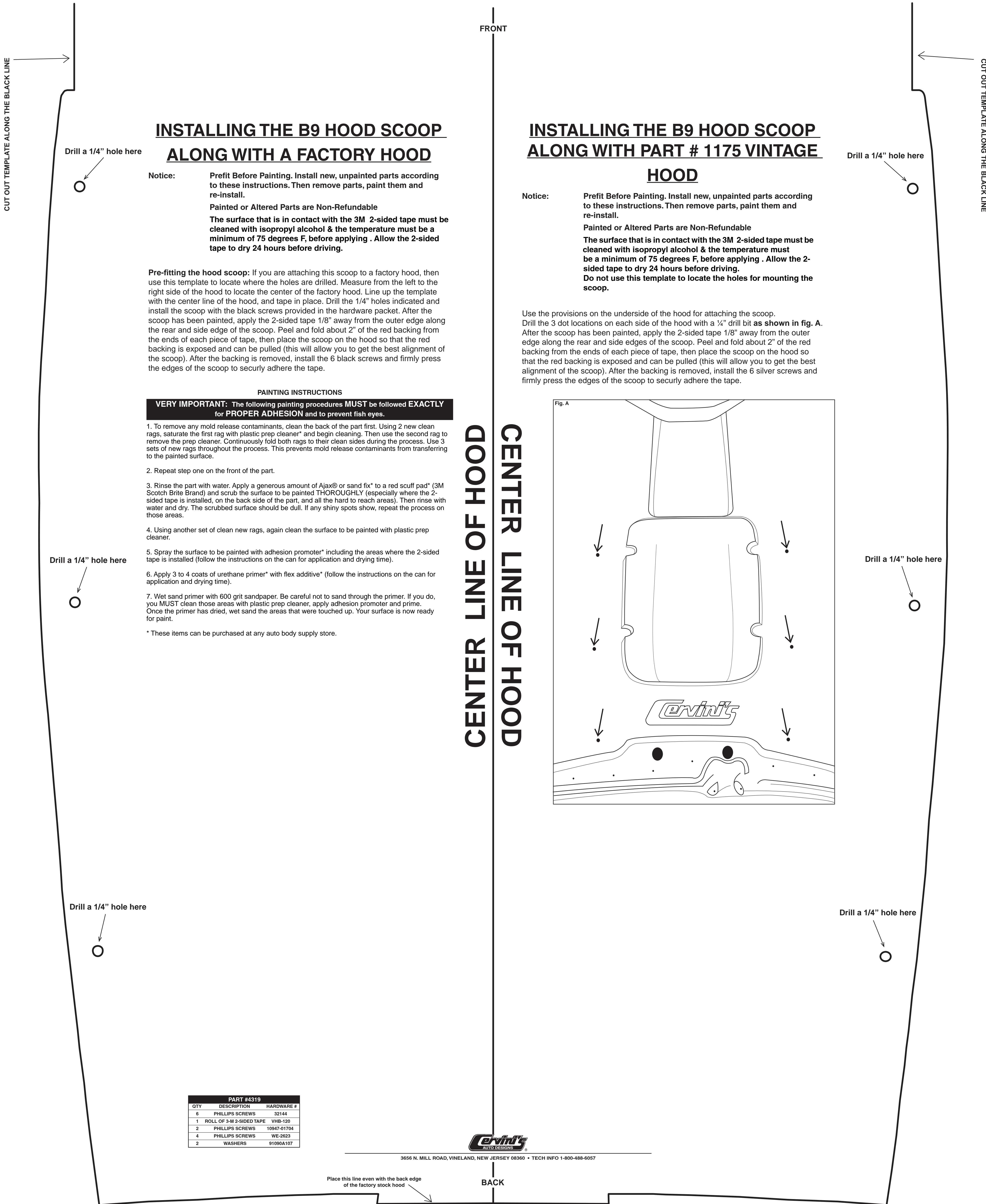


# PART #4319 05-08 MUSTANG B9 HOOD SCOOP



## INSTALLING THE B9 HOOD SCOOP ALONG WITH A FACTORY HOOD

**Notice:** Prefit Before Painting. Install new, unpainted parts according to these instructions. Then remove parts, paint them and re-install.  
**Painted or Altered Parts are Non-Refundable**  
 The surface that is in contact with the 3M 2-sided tape must be cleaned with isopropyl alcohol & the temperature must be a minimum of 75 degrees F, before applying . Allow the 2-sided tape to dry 24 hours before driving.

**Pre-fitting the hood scoop:** If you are attaching this scoop to a factory hood, then use this template to locate where the holes are drilled. Measure from the left to the right side of the hood to locate the center of the factory hood. Line up the template with the center line of the hood, and tape in place. Drill the 1/4" holes indicated and install the scoop with the black screws provided in the hardware packet. After the scoop has been painted, apply the 2-sided tape 1/8" away from the outer edge along the rear and side edge of the scoop. Peel and fold about 2" of the red backing from the ends of each piece of tape, then place the scoop on the hood so that the red backing is exposed and can be pulled (this will allow you to get the best alignment of the scoop). After the backing is removed, install the 6 black screws and firmly press the edges of the scoop to securely adhere the tape.

### PAINTING INSTRUCTIONS

**VERY IMPORTANT:** The following painting procedures **MUST** be followed **EXACTLY** for **PROPER ADHESION** and to prevent fish eyes.

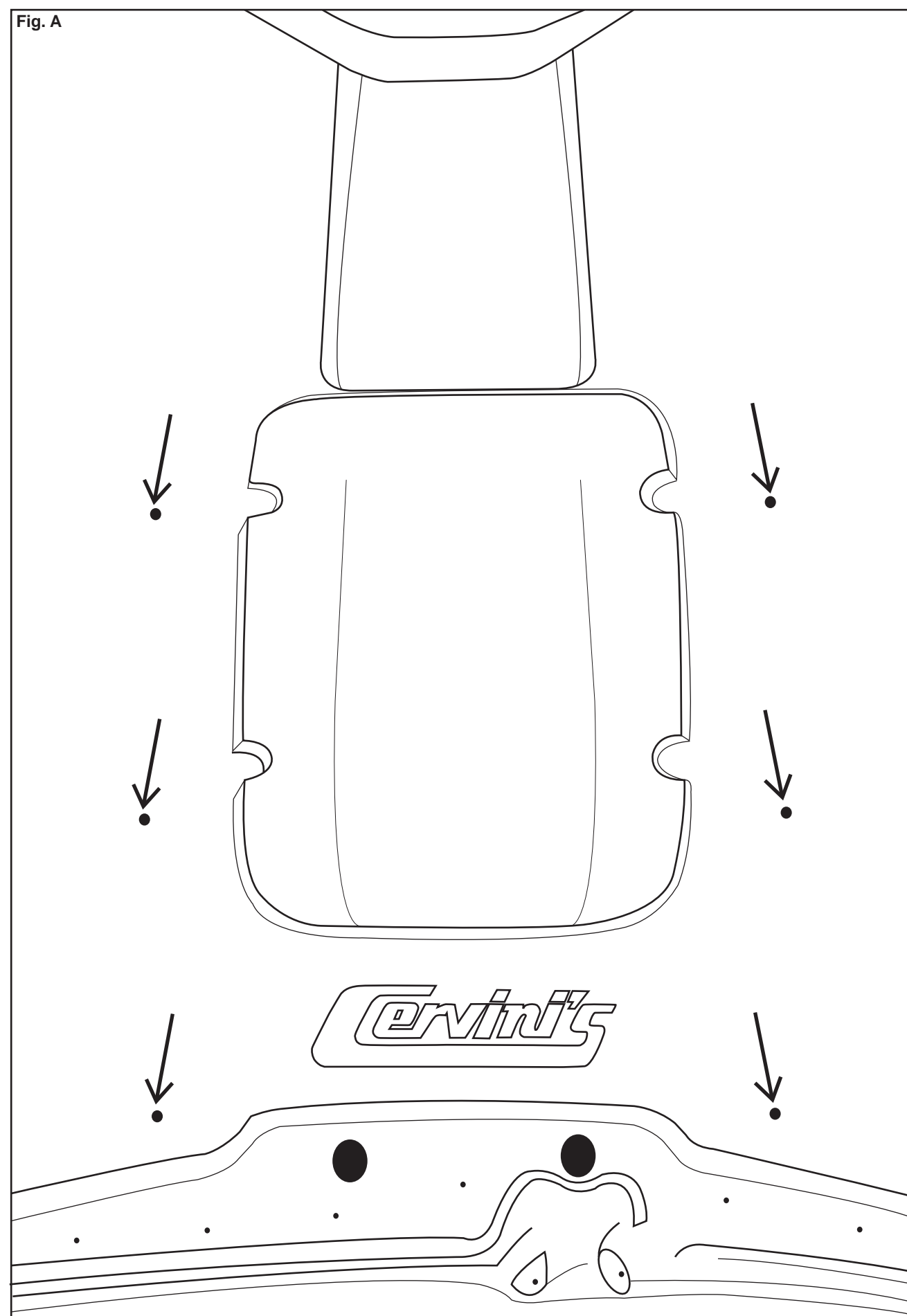
1. To remove any mold release contaminants, clean the back of the part first. Using 2 new clean rags, saturate the first rag with plastic prep cleaner\* and begin cleaning. Then use the second rag to remove the prep cleaner. Continuously fold both rags to their clean sides during the process. Use 3 sets of new rags throughout the process. This prevents mold release contaminants from transferring to the painted surface.
2. Repeat step one on the front of the part.
3. Rinse the part with water. Apply a generous amount of Ajax® or sand fix\* to a red scuff pad\* (3M Scotch Brite Brand) and scrub the surface to be painted **THOROUGHLY** (especially where the 2-sided tape is installed, on the back side of the part, and all the hard to reach areas). Then rinse with water and dry. The scrubbed surface should be dull. If any shiny spots show, repeat the process on those areas.
4. Using another set of clean new rags, again clean the surface to be painted with plastic prep cleaner.
5. Spray the surface to be painted with adhesion promoter\* including the areas where the 2-sided tape is installed (follow the instructions on the can for application and drying time).
6. Apply 3 to 4 coats of urethane primer\* with flex additive\* (follow the instructions on the can for application and drying time).
7. Wet sand primer with 600 grit sandpaper. Be careful not to sand through the primer. If you do, you **MUST** clean those areas with plastic prep cleaner, apply adhesion promoter and prime. Once the primer has dried, wet sand the areas that were touched up. Your surface is now ready for paint.

\* These items can be purchased at any auto body supply store.

## INSTALLING THE B9 HOOD SCOOP ALONG WITH PART # 1175 VINTAGE HOOD

**Notice:** Prefit Before Painting. Install new, unpainted parts according to these instructions. Then remove parts, paint them and re-install.  
**Painted or Altered Parts are Non-Refundable**  
 The surface that is in contact with the 3M 2-sided tape must be cleaned with isopropyl alcohol & the temperature must be a minimum of 75 degrees F, before applying . Allow the 2-sided tape to dry 24 hours before driving.  
**Do not use this template to locate the holes for mounting the scoop.**

Use the provisions on the underside of the hood for attaching the scoop. Drill the 3 dot locations on each side of the hood with a 1/4" drill bit **as shown in fig. A**. After the scoop has been painted, apply the 2-sided tape 1/8" away from the outer edge along the rear and side edges of the scoop. Peel and fold about 2" of the red backing from the ends of each piece of tape, then place the scoop on the hood so that the red backing is exposed and can be pulled (this will allow you to get the best alignment of the scoop). After the backing is removed, install the 6 silver screws and firmly press the edges of the scoop to securely adhere the tape.



PART #4319		
QTY	DESCRIPTION	HARDWARE #
6	PHILLIPS SCREWS	32144
1	ROLL OF 3-M 2-SIDED TAPE	VHB-120
2	PHILLIPS SCREWS	10947-01704
4	PHILLIPS SCREWS	WE-2623
2	WASHERS	91090A107



3656 N. MILL ROAD, VINELAND, NEW JERSEY 08360 • TECH INFO 1-800-488-6057

Place this line even with the back edge of the factory stock hood

BACK