



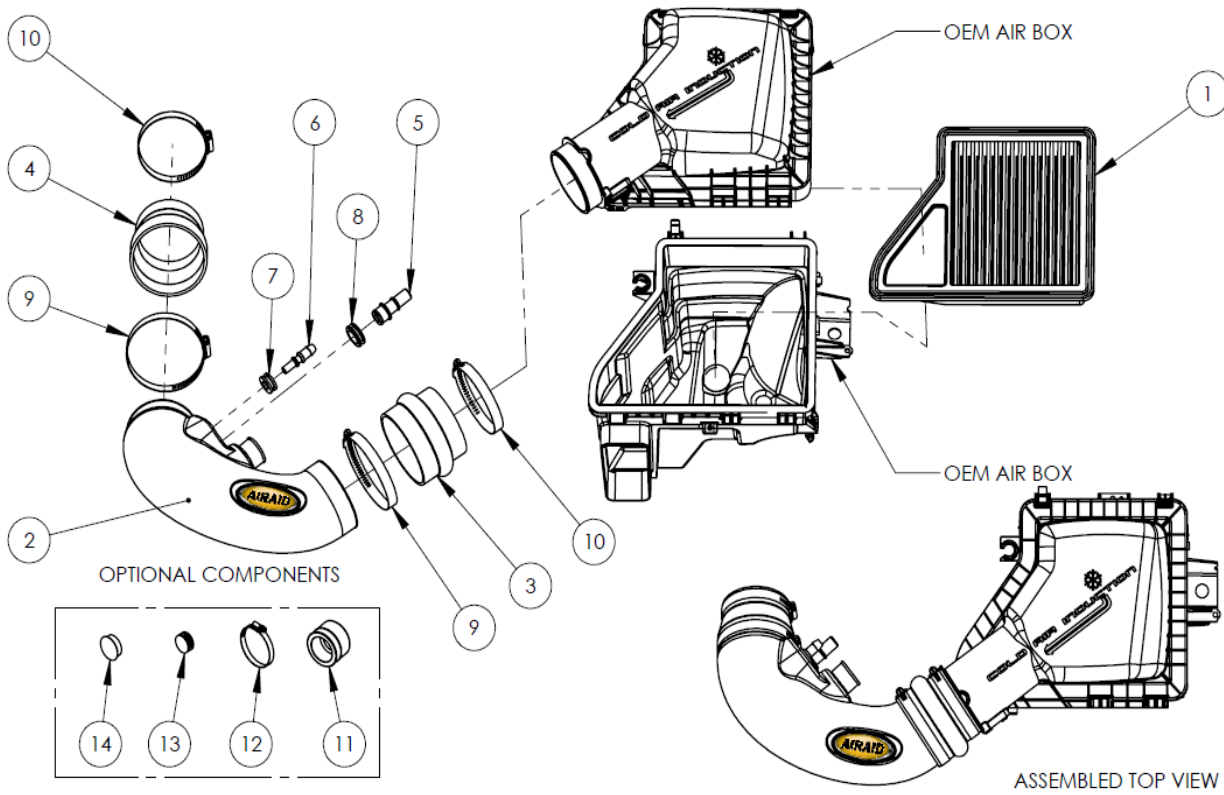
## Installation Instructions

For Airaid Jr. Part Numbers:

450-746 850-500 Airaid Oiled Media Filter  
 451-746 851-500 SynthaMax Dry Media Filter  
 And M.I.T. Part Number  
 450-946 Airaid Modular Intake Tube only

2011-14 Ford Mustang GT  
 5.0L V8

**INTAKE SYSTEMS FOR VEHICLES LISTED ARE 50 STATE LEGAL. SEE AIRAID.COM FOR CARB STATUS ON EACH PART FOR A SPECIFIC VEHICLE.**



### Component Identification

1.	*Airaid Premium Filter	1
2.	Modular Intake Tube	1
3.	Hump Hose	1
4.	Reducing Coupler	1
5.	5/8" Aluminum Fitting	1
6.	3/8" Aluminum Fitting	1
7.	3/8" Grommet	1
8.	5/8" Grommet	1
9.	#64 Hose Clamp	2
10.	#56 Hose Clamp	2
11.	Urethane Cap	1
12.	60mm Hose Clamp	1
13.	Blind Grommet	1
14.	Firewall Plug	1

**\*Filter Included only in Jr. Kits**

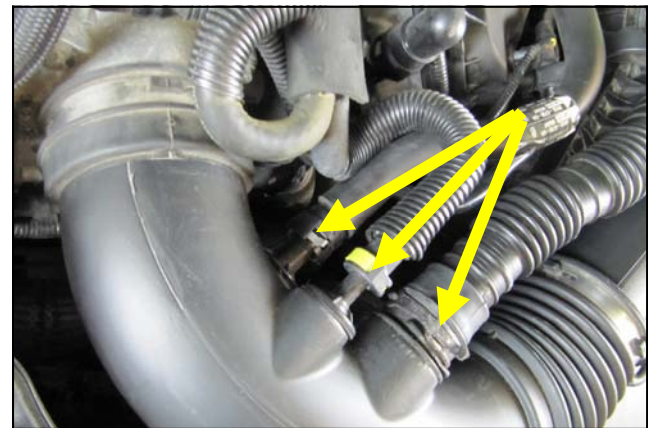
Full color instructions can be viewed on our web site at [Airaid.com](http://Airaid.com). If you need any assistance please call 1-800-858-3333 to speak with a representative in our Customer Service Center before returning the product.



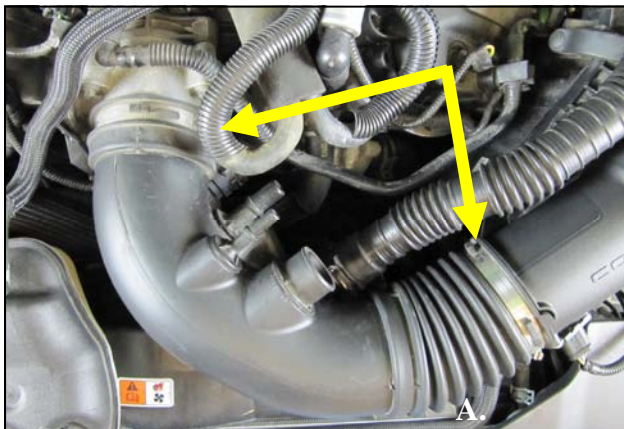
1. Disconnect the negative battery terminal. Remove the strut tower brace, if so equipped.



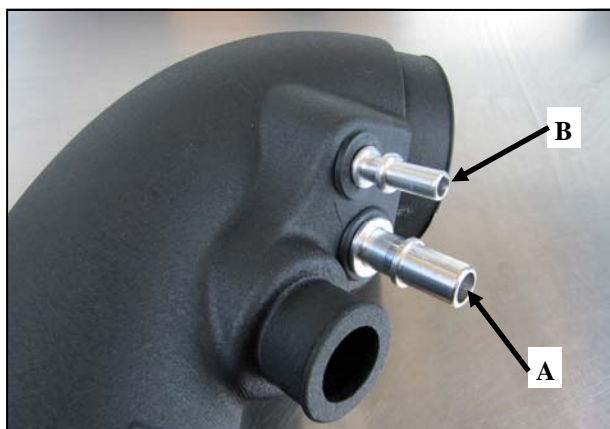
2. Lift straight up on the engine cover to unseat it from the mounting grommets and set it aside.



3. Compress the spring clamp and disconnect the resonator from the air intake tube. Carefully depress the connector lock tabs, and disconnect the crank case breather line and the brake aspirator line if equipped, (AT models only).



4. Loosen the hose clamps on the factory intake tube and remove it. If installing an Airaid Jr. kit, install the Airaid Premium filter into the factory air box at this time.



5. Install the Grommets and Fittings into the Modular Intake Tube. **A)** All models will require the use of the 5/8" Fitting and the 5/8" Grommet. **B)** Automatic transmission equipped vehicles will also use the 3/8" Fitting and 3/8" Grommet.



6. Manual transmission vehicles will not need the 3/8" components and will use the Blind Grommet.



7. Slide the Hump Hose, one #56 Clamp, and one #64 Clamp onto the air box outlet as shown. Do not tighten the Clamps at this time.



8. Install the Coupler and Clamps onto the throttle body as shown. Do not tighten the Clamps at this time.



9. Insert the Intake Tube assembly into the Hump Hose first then into the Coupler on the throttle body. Align the components and tighten the Clamps.





10. Connect the breather lines from step 3. to the Airaid intake Tube.



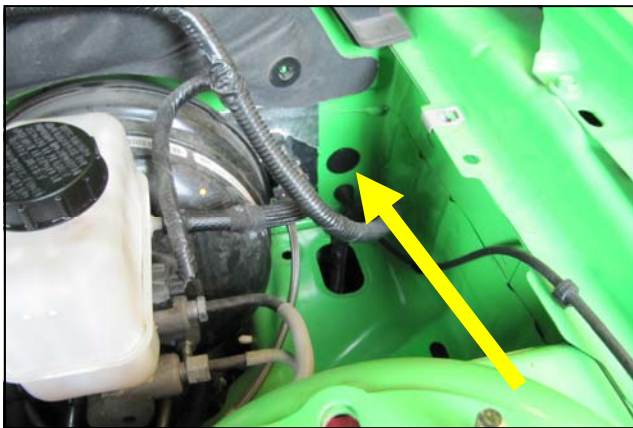
11. Reinstall the engine cover and Reinstall the strut tower brace, if so equipped. Reconnect the Battery terminal.



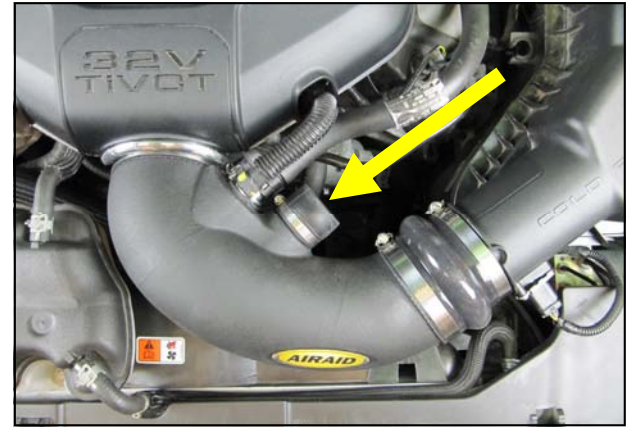
12. Resonator Delete Install Option: Airaid has made it possible to eliminate the factory induction resonator if you so desire. The removal of the resonator from the intake has no negative effect on the performance of this kit.



13. Remove the entire Resonator tube assembly and all associated stand offs from the intake tube and the vehicle. Remove the 6mm bolt securing the diaphragm housing to the inner fender remove the tubing from the Fire wall.



14. Snap the Firewall plug into the firewall hole.



15. Install the Urethane cap with the 60mm Hose Clamp onto the Airaid Intake tube

Thank you for purchasing the Airaid Intake System. Contact Airaid @ (800) 498-6951 8:00 AM - 5:00 PM MST weekdays for questions regarding fit or instructions that are not clear to you. Your Airaid Intake System was carefully inspected and packaged. Check that no parts are missing, or were damaged during shipping. If any parts are missing, contact Airaid. The air filter element is protected from direct exposure to water and debris; care should be taken not to drive through deep water. WATER INGESTION IS THE DRIVERS RESPONSIBILITY! The air filter is reusable and should be cleaned periodically.

## FILTER IDENTIFICATION

850-500 Airaid Oiled Media

851-500 Airaid SynthaMax Dry Media

**For your Oiled media filter we suggest using the AIRAID Filter Tune-Up Kit!**

**SynthaMax**

**Do Not Oil**



P/N 790-551 Aerosol Spray  
P/N 790-550 Squeeze Spray



Synthamax Air Filters do not require oil. Service air filter as needed by cleaning with common non-petroleum all-purpose household cleaner and water. Simple Green®, Formula 409® or equivalent works great. Apply cleaner to outside of air filter and allow to soak. Then flush filter clean from the inside out with a garden hose and repeat steps if necessary. Do not apply high pressure water or air to clean filter. Allow filter to air dry and reinstall.

INTAKE SYSTEMS FOR VEHICLES LISTED ARE 50 STATE LEGAL. SEE AIRAID.COM FOR CARB STATUS ON EACH PART FOR A SPECIFIC VEHICLE.