



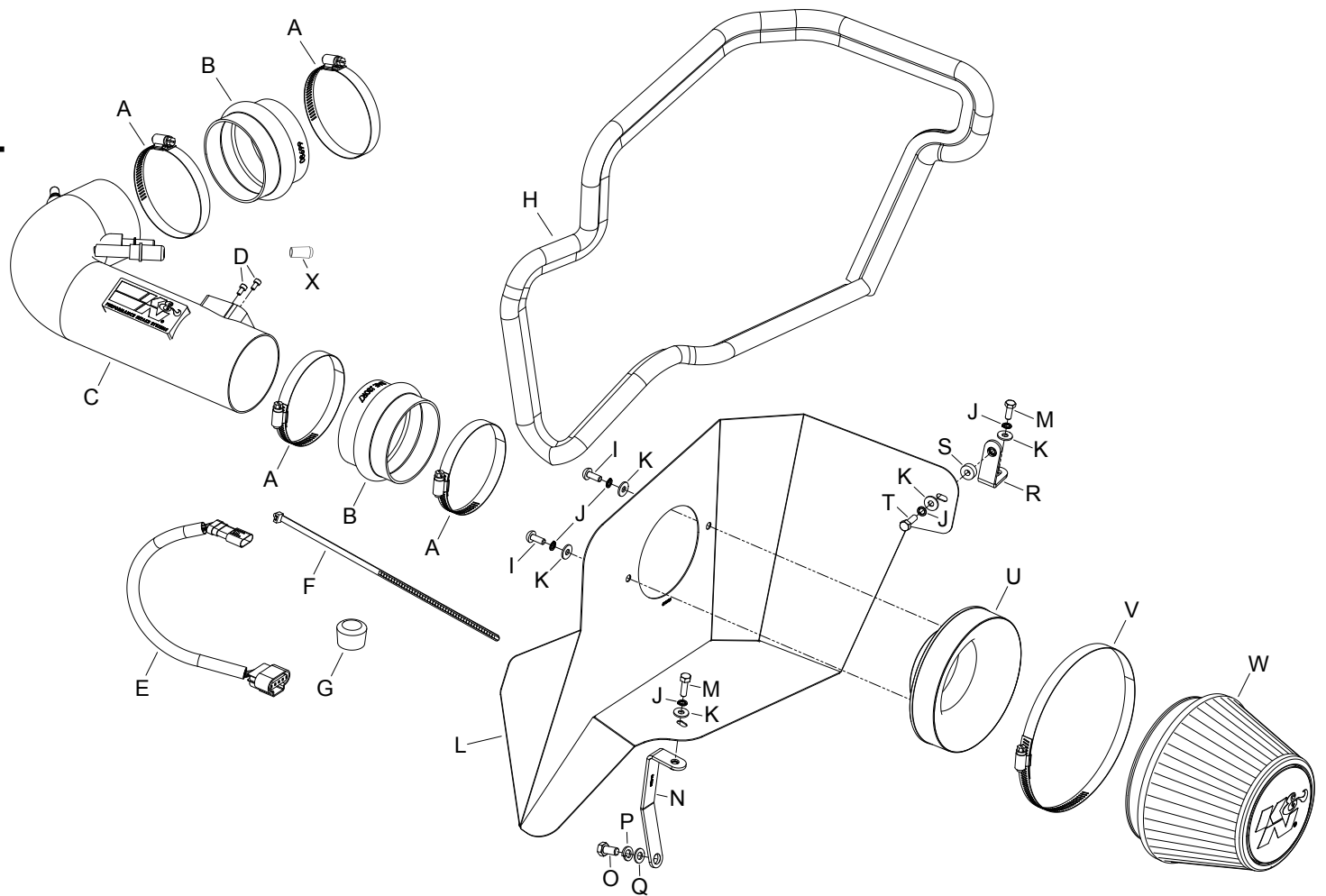
LEGAL IN CALIFORNIA ONLY FOR RACING VEHICLES WHICH MAY NEVER BE USED, REGISTERED OR LICENSED FOR USE UPON A HIGHWAY.
See knfilters.com for CARB status on each part for a specific vehicle

INSTALLATION INSTRUCTIONS

71-3535
FORD
2015-17 Mustang GT
V8-5.0L

TOOLS NEEDED:

flat blade screw driver
ratchet
extension
13mm socket
10mm socket
pliers
T20 torx
3mm allen



PARTS LIST:

Description	Qty.	Part #	Description	Qty.	Part #	Description	Qty.	Part #
A HOSE CLAMP #56, BLACK ZINC	4	08620K	I BOLT; M6 X 1.00 X 16MM ,SS	2	07730	Q WASHER; 8MM, FLAT, SS	1	08272
B HOSE; 3-1/2" ID X 2-1/2" L	2	08699	J WASHER, M6 SPLIT LOCK ZINC	5	1-3025	R BRACKET; SMALL "L", 63-2589	1	064326
C INTAKE TUBE	1	27640TK	K WASHER; 6MM FLAT, SS	5	08269	S SPACER: .625" OD X .250"ID	1	06555
D BOLT; M4 - 0.07 8MM, A/H CAP	2	07733	L HEAT SHIELD	1	073180	T BOLT; 6MM-1.00 X 16MM, SS	1	07812
E MAF EXTENSION HARNESS	1	21780	M BOLT; M6 X 1.00" X 20MM HEX	2	07795	U ADAPTER; UNIVERSAL, 6"	1	21512-1
F CABLE TIES; 11" BLACK	1	21590	N BRACKET; "L", 63-2589, STL	1	064325	V HOSE CLAMP #44, BLACK ZINC	1	08560K
G CAPPLUG; 15/16" ID, 3/4" L, BLK	1	08246	O BOLT; 8MM-1.25 X 16MM	1	07844	W FILTER CHARGER	1	RU-3106HBK
H EDGE TRIM (66")	1	102472	P WASHER, M8 SPLIT LOCK ZINC	1	1-3036	X TIP; 3/8"OD X 1/4"ID X 1-1/4"L	1	08215

If you need any assistance please call 1-800-858-3333 to speak with a representative in our Customer Service Center before returning the product.

NOTE: FAILURE TO FOLLOW INSTALLATION INSTRUCTIONS AND NOT USING THE PROVIDED HARDWARE MAY DAMAGE THE INTAKE TUBE, THROTTLE BODY AND ENGINE.

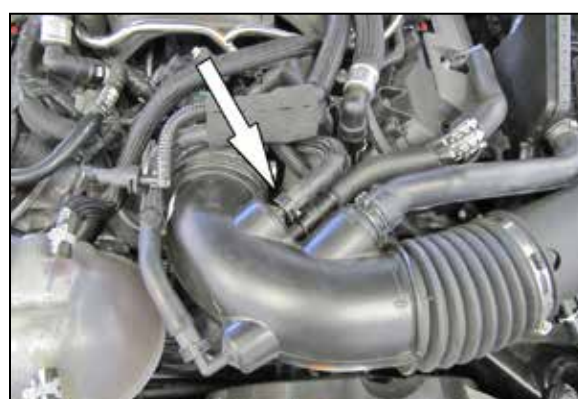
TO START:

1. Turn off the ignition and disconnect the negative battery cable.

NOTE: Disconnecting the negative battery cable erases pre-programmed electronic memories. Write down all memory settings before disconnecting the negative battery cable. Some radios will require an anti-theft code to be entered after the battery is reconnected. The anti-theft code is typically supplied with your owner's manual. In the event your vehicles anti-theft code cannot be recovered, contact an authorized dealership to obtain your vehicles anti-theft code.



2. Lift up the decorative engine cover to dislodge it from the mounting studs and then remove the engine cover from the vehicle.



3. Depress the locking tab and then disconnect the idle bypass hose from the intake tube.



4. Depress the locking tabs and then disconnect the crank case vent hose and the EVAP vent hose. Then release the spring clamp and disconnect the sound tube from the intake tube.
NOTE: Some vehicles are not equipped with the EVAP vent hose.



5. Cut the clamp that secures the sound tube/ chamber to the sound drum and then disconnect the sound tube/chamber from the sound drum.



6. Install the provided cap onto the sound drum.



7. Release the locking tab and then disconnect the mass air sensor electrical connection.



8. Remove the bolt securing the air filter assembly onto the inner fender.

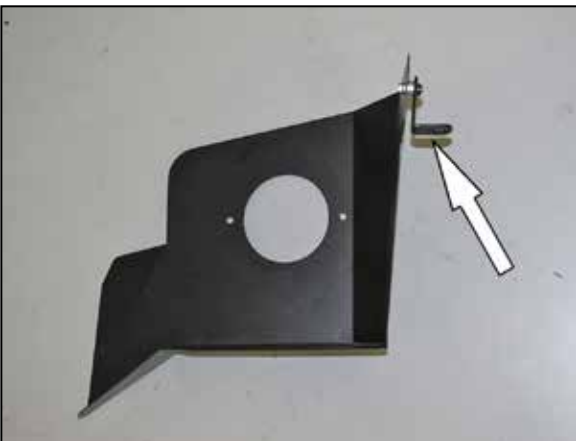


9. Loosen the hose clamp securing the intake tube to the throttle body and then remove the air filter assembly and intake tube from the engine compartment.

NOTE: K&N Engineering, Inc., recommends that customers do not discard factory air intake.

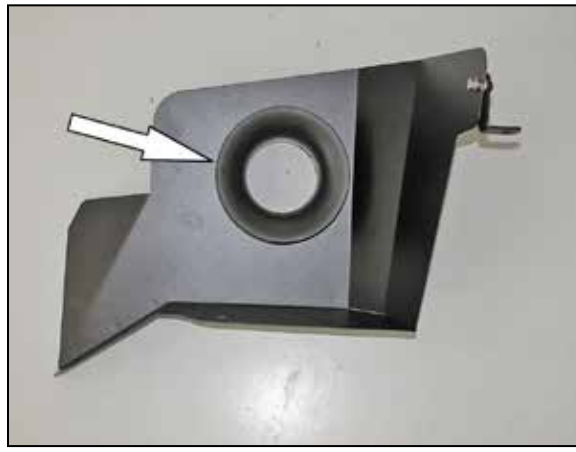


10. Install the heat shield mounting bracket (064325) onto the inner fender as shown using the provided hardware.

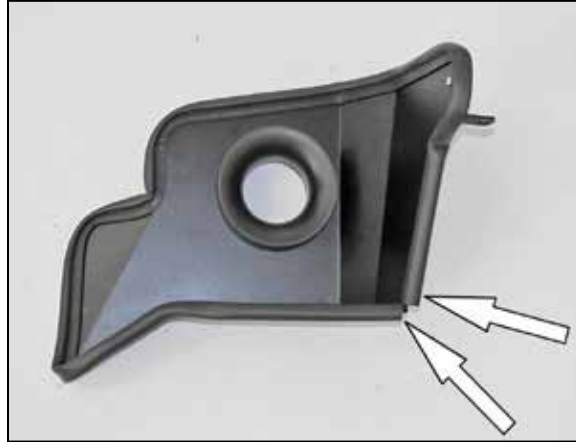


11. Install the provided heat shield mounting bracket (064326) onto the heat shield as shown using the provided hardware.

NOTE: Be sure to place the provided spacer between the bracket and heat shield.



12. Install the provided filter adapter into the heat shield as shown and secure with the provided hardware.



13. Install the provided edge trim onto the heat shield as shown.

NOTE: Some trimming of the edge trim will be necessary.



14. Set the heat shield onto the mounting bracket installed in step #9 and secure with the provided hardware.

NOTE: Do not secure the top bracket at this time.



15. Install the K&N® air filter onto the adapter and secure with the provided hose clamp, then secure the heat shield and brackets to the air filter housing mounting location using the provided hardware.



16. Install the provided hump coupler (08699) onto the filter adapter and secure with the provided hose clamp.



17. Install the provided hump coupler (08699) onto the throttle body and secure with the provided hose clamp.



18. Remove the mass air sensor from the factory air filter housing.



19. Install the mass air sensor into the K&N® intake tube and secure with the provided hardware.



20. Install the K&N® intake tube into the hose at the filter adapter and then into the hose at the throttle body, adjust the tube and hoses for best fit and then secure with the provided hose clamps.



21. Connect the crank case vent, EVAP vent and idle by pass lines to the quick disconnect fittings installed into the K&N® intake tube.
NOTE: On vehicles not equipped with an EVAP vent line, install the provided caplug #08215 onto the quick disconnect fitting.



22. Connect the provided mass air sensor extension harness into the factory mass air sensor connection and then connect the other end to the mass air sensor.

NOTE: Route the mass air sensor extension harness so that it cannot rub on sharp edges. Secure the harness with the provided tie wrap if necessary.



23. Reinstall the engine cover.



24. Reconnect the vehicle's negative battery cable. Double check to make sure everything is tight and properly positioned before starting the vehicle.

25. It will be necessary for all K&N® high flow intake systems to be checked periodically for realignment, clearance and tightening of all connections. Failure to follow the above instructions or proper maintenance may void warranty.

ROAD TESTING:

1. Start the engine with the transmission in neutral or park, and the parking brake engaged. Listen for air leaks or odd noises. For air leaks secure hoses and connections. For odd noises, find cause and repair before proceeding. This kit will function identically to the factory system except for being louder and much more responsive.

2. Test drive the vehicle. Listen for odd noises or rattles and fix as necessary.

3. If road test is fine, you can now enjoy the added power and performance from your kit.

4. K&N Engineering, Inc., requires cleaning the Blackhawk Induction™ intake system's air filter element every 100,000 miles. When used in dusty or off-road environments, our filters will require cleaning more often. We recommend that you visually inspect your filter once every 25,000 miles to determine if the screen is still visible. When the screen is no longer visible some place on the filter element, it is time to clean it. To clean, purchase our Synthetic Filter Cleaner, part number 99-0624 and follow the easy instructions.

LEGAL IN CALIFORNIA ONLY FOR RACING VEHICLES WHICH MAY NEVER BE USED, REGISTERED OR LICENSED FOR USE UPON A HIGHWAY.

See knfilters.com for CARB status on each part for a specific vehicle