

Long Tube Header Installation For Ford Mustang GT/Boss 302 PN-17263 Ford Shelby GT500 PN-17273



These instructions have been written to help you with the installation of your Borla Performance Exhaust System. Please read this document completely before beginning the installation of your system.

Please compare the parts in the box with the bill of materials provided to assure that you have all the parts necessary for this installation.

To ensure this part number fits your specific model year, please visit our website for the latest model year listings at www.BORLA.com.

Thank you for purchasing a Borla Performance Long Tube Header System.

Borla Performance Stainless Steel Long Tube Header System (Part Number 17263) is designed for the Mustang GT/Boss 302 equipped with a 5.0L V-8 engine with an automatic or manual transmissions.

Borla Performance Stainless Steel Long Tube Header System (Part Number 17273) is designed for the Mustang GT500 equipped with a 5.4L Super-Charged V-8 engine with manual transmission.

Borla Performance Industries recommends that an exhaust shop or professional after market parts installer perform the installation of this system. However, if you decide to perform the installation on your own it is recommended that two people are used. This installation should not be performed by one person due to the risk of injury. Ensure the installers use all under car safety precautions including eye protection.

Please take time to read and understand the following...

By installing your Borla Performance Exhaust System, you indicate that you have read this document and you agree with the terms stated below.

It is the responsibility of the purchaser to follow all installation instruction guidelines and safety procedures supplied with your Borla Performance Exhaust System

Borla Performance Industries assumes no responsibility for damages occurring from misuse, abuse, improper installation, improper operation, lack of responsible care, or all previously stated reasons resulting from incompatibility with other manufacturer's products and/or systems.

Included with your Borla Performance Exhaust System is a warranty card. Please read it carefully before you begin any work on your vehicle. If you should have any questions regarding our warranty policy, installation, or any other matter pertaining to your

Minimum Required Tool List:

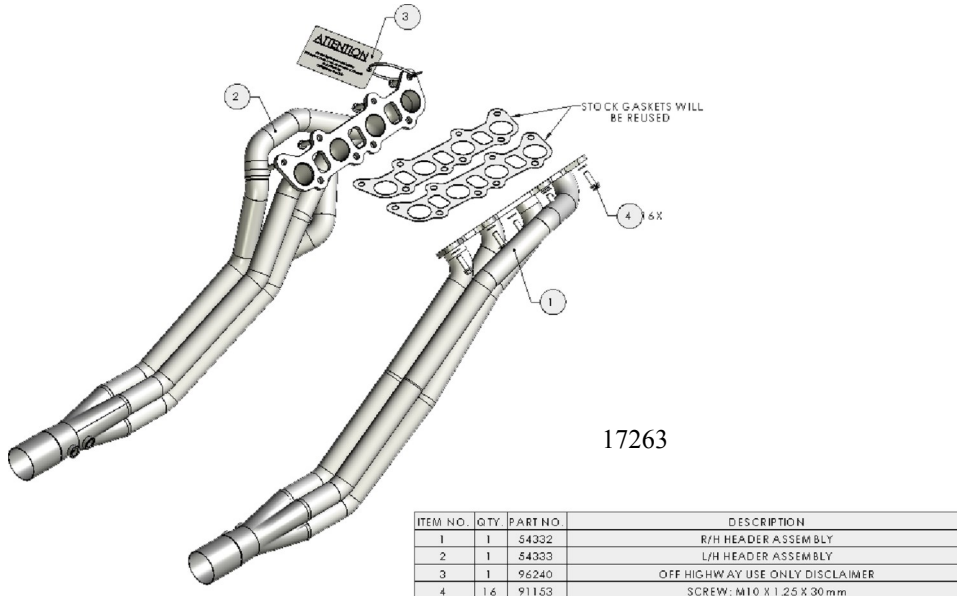
TOOLS:

- 1 3/8" Drive Ratchet
- 2 3/8" Drive Extension 3"
- 3 6mm Socket
- 4 10mm Socket
- 5 13mm Socket
- 6 7/8" Combination Wrench

SHOP SUPPLIES:

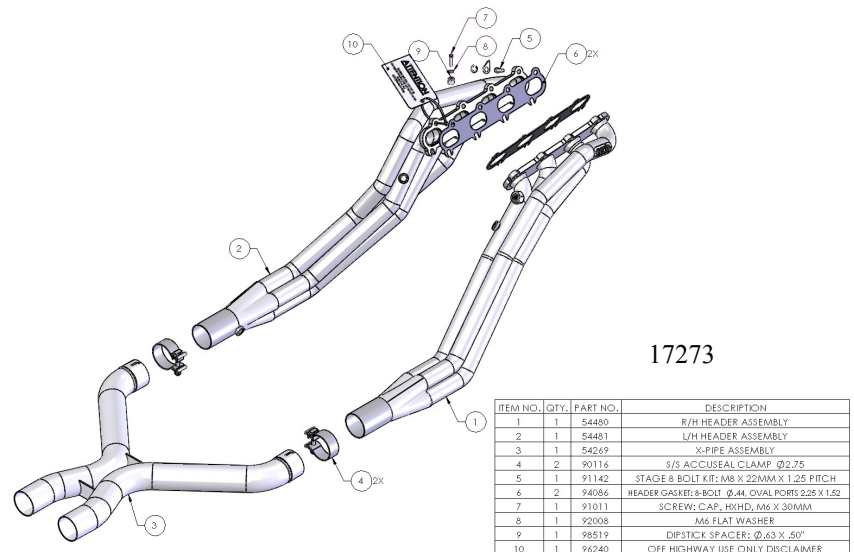
- 1 Spray Lubricant

Borla Performance Stainless Steel Long Tube Header System Bill of Materials



17263

ITEM NO.	QTY.	PART NO.	DESCRIPTION
1	1	54332	R/H HEADER ASSEMBLY
2	1	54333	L/H HEADER ASSEMBLY
3	1	96240	OFF HIGHWAY USE ONLY DISCLAIMER
4	1.6	91153	SCREW: M10 X 1.25 X 30 mm



17273

ITEM NO.	QTY.	PART NO.	DESCRIPTION
1	1	54480	R/H HEADER ASSEMBLY
2	1	54481	L/H HEADER ASSEMBLY
3	1	54289	X-PIPE ASSEMBLY
4	2	90116	S/S ACCUSUAL CLAMP Ø2.75
5	1	91142	STAGE 8 BOLT KIT: M8 X 22MM X 1.25 PITCH
6	2	94086	HEADER GASKET: 8-BOLT Ø.44 OVAL PORTS 2.25 X 1.52
7	1	91011	SCREW: CAP. HKHD, M6 X 30MM
8	1	92008	M6 FLAT WASHER
9	1	98519	DIPSTICK SPACER: Ø.63 X .50"
10	1	96240	OFF HIGHWAY USE ONLY DISCLAIMER