



**2005 - 2009 Mustang
"Shaker"**

CDC #110050 ('05/'06) or 0711-7000-01 ('07/'09)

Component Check List:

<u>Quantity/Description</u>	<u>Part #</u>	<u>CDC</u>	<u>Installer</u>
1 - Engine Cover Assembly	114050	<input type="checkbox"/>	<input type="checkbox"/>
• 1 - Aluminum Shaker Scoop	183020	<input type="checkbox"/>	
• 1 - Engine Cover	115052	<input type="checkbox"/>	
• 1 - Upper Air Tube	115054	<input type="checkbox"/>	
• 7- M6-1.0 x 10mm Hex Head Bolts	183003	<input type="checkbox"/>	
• 4 - Fender Washers 1/4" x 1"	116051	<input type="checkbox"/>	
• 2 - Channel Washers	116052	<input type="checkbox"/>	
• 4 - M6-1.0 Nuts w/ Loose Washer	183034	<input type="checkbox"/>	
• 4 - M6-1.0 x 22mm Bolts	410109	<input type="checkbox"/>	
• 2 - 11/32 ID, 3/4 OD, 1.72-.198 Washer	55001	<input type="checkbox"/>	
• 1 - Ball Stud	116050	<input type="checkbox"/>	
• 2 - Sill Plates	115055	<input type="checkbox"/>	
• 1 - M6 Washer	183005	<input type="checkbox"/>	
• 1 - Throttle Body Bracket	116056	<input type="checkbox"/>	
• 1 - Shaker Badge	183012	<input type="checkbox"/>	
• 4 - Rivets	183011	<input type="checkbox"/>	
1 - Upper Trim Ring	115051	<input type="checkbox"/>	<input type="checkbox"/>
1 - Lower Trim Ring	115050	<input type="checkbox"/>	<input type="checkbox"/>
1 - V8 Shaker Hardware Kit	0511-6508-01	<input type="checkbox"/>	<input type="checkbox"/>
• 4 - 1/2" x 18" Drain Tubes	115058	<input type="checkbox"/>	<input type="checkbox"/>
• 1 - Lower Air Tube	115053	<input type="checkbox"/>	<input type="checkbox"/>
• 1 - 3" Coupler w/ Clamps	115056	<input type="checkbox"/>	<input type="checkbox"/>
• 1 - Ball Stud Bracket w/ socket	116055	<input type="checkbox"/>	<input type="checkbox"/>
• 1 - "U" Clamp w/ set screw	116054	<input type="checkbox"/>	<input type="checkbox"/>
• 4 - Zip Ties	116053	<input type="checkbox"/>	<input type="checkbox"/>
• 4 - Rivets	183011	<input type="checkbox"/>	<input type="checkbox"/>
• 1 - Roll 1/4"x70" 3m Tape	950015	<input type="checkbox"/>	<input type="checkbox"/>
• 2 - Alcohol Packs	950006	<input type="checkbox"/>	<input type="checkbox"/>
• 1 - Adhesion Promoter Pack	950007	<input type="checkbox"/>	<input type="checkbox"/>
• 1 - Air Filter Housing Template		<input type="checkbox"/>	<input type="checkbox"/>
• 1 - Hood Template		<input type="checkbox"/>	<input type="checkbox"/>
• 1 - Installation Guide		<input type="checkbox"/>	<input type="checkbox"/>



'05-'09 Mustang "Shaker" System Instructions

Note: Read installation instructions before starting and test fit component before painting. The Shaker Hood Trim Ring is molded UV Stable ABS Plastic and does not require paint. If you chose to paint the Shaker Hood Trim Ring, have your Trim Ring painted by a professional automotive painting facility to ensure the quality of your vehicle and the product. We recommend that paint-curing temperature not exceed 180°F.

Tool List For Trim Ring:

- Template
- Masking Tape
- Center Punch
- 1/8" Pilot Drill Bit
- 1" Hole Saw
- Drill Motor
- Saw with metal blade (for cutting hood)
- Utility Knife (for cutting hood blanket)
- Razor Blade
- Eye Protection
- Rivet Gun
- 120 grit sand paper

Tool List For Shaker Assembly & Install:

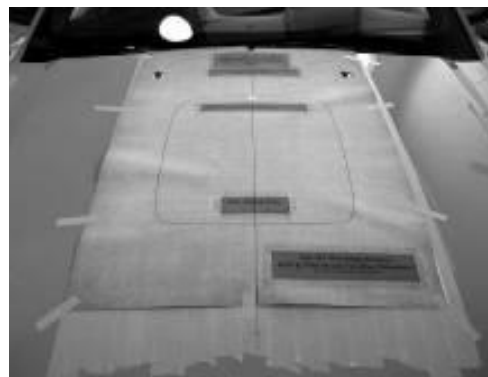
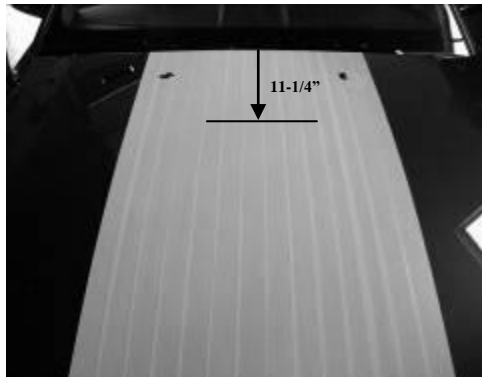
- 10mm Socket 1/4" Drive
- 8mm Socket 1/4" Drive
- 1/4" Drive 6" extension
- 1/4" Drive Ratchet
- Drill Motor
- 1/8" Pilot Drill
- 2 3/4" Hole Saw
- Thread locker
- Rivet Gun
- Half Round File
- 3mm Allen Wrench

Installing Hood Trim Ring:

- A) Raise Hood and remove under hood blanket. Use a fork tool to remove pushpin fasteners. Set hood blanket aside. Close hood and mask off entire area where Shaker opening will be cut out to help prevent paint damage during the cutting process.

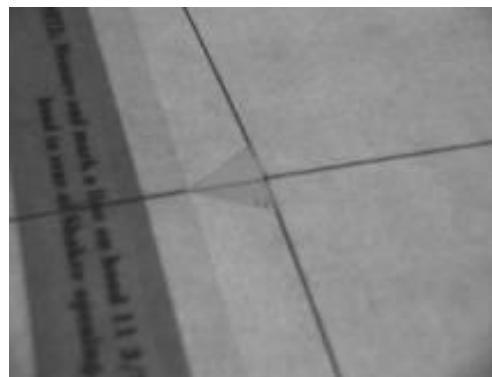


- B) Measure and mark centerline on the hood. Measure and mark 11-1/4" from rear of the hood on the centerline. This will line up with the rear line on the shaker cutout template.
- C) Align template with rear of hood and centerline as noted on template. Tape template securely to top of hood.



Note:

It is very important that the centerline of hood is measured accurately. Make sure to line up centerline of template to centerline on hood. The best way to achieve this is to cut out two triangles along the centerline. One at the rear of the template and one at the rear of the shaker hole outline. (As Shown Below)

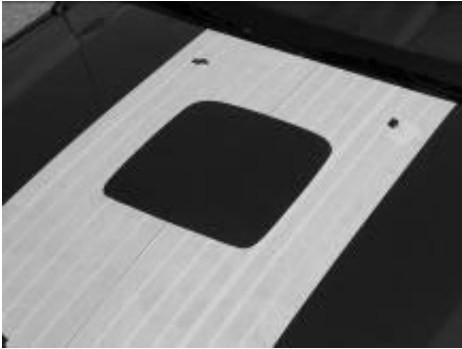


- D) With a sharp razor blade or x-acto knife cut through template, through the tape, and into the paint of your hood. Cutting/scoring the paint on the hood will reduce the chance of paint flake during the cutting process.

CD4II3AJ

- E) Remove template from hood and discard. Peel tape from center of Shaker opening, leaving an outline of Shaker opening.

Caution: Add a second layer of tape around opening to reduce the risk of shavings scratching the hood.



Note:

During the drilling and cutting process, elevate the hood far enough to ensure no damage will occur to engine components. Place a blanket over engine to catch metal shavings.

- F) Center punch and drill a starter hole for Shaker opening with a 1" hole saw. Cut Shaker opening, following the outline. **Hint:** Stop cutting half way around opening and place masking tape over cut line for support; this will help prevent some vibration while you finish the cutting process.
- G) Remove tape from hood. Clean area of hood around the cut opening with Isopropyl (rubbing) Alcohol where Upper Trim Ring will be placed. **It is imperative that any wax be removed from the vehicle at the tape contact area for proper adhesion of Trim Ring.**
- H) Raise and prop hood.
- I) Temporarily reinstall hood blanket to bottom of hood using original fasteners. Temporarily place (DO NOT TAPE) Upper Hood Trim Ring onto hood and trace inside of Upper Trim Ring on to the hood blanket. Remove Trim Ring and hood blanket. Set Trim Ring aside until later and set hood blanket on bench. (A white grease pencil works best.)



- J) With the hood blanket on the bench, line up the Lower Trim Ring (part # 115050) with the line traced from the upper. Now trace the outside of the Lower Trim Ring onto the hood blanket. **Note:** Trim Ring will follow contour of the hood blanket when properly positioned, the hump is toward the rear. Remove Lower Trim Ring and measure 1/2" from the outer line toward the center of the hood blanket and mark one more line, this is the line you will cut using a sharp blade.
- K) Cut opening in Hood Blanket.



CD4II3AJ

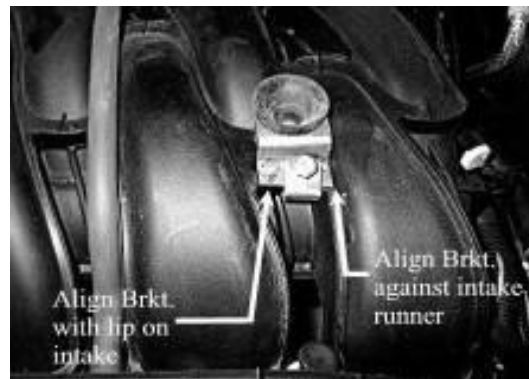
L) Reinstall hood blanket with factory retainers.

Installing Shaker:

A) Remove filter housing from vehicle. Unplug Mass Airflow Sensor at this time.



- B) Slightly bend the oil dipstick tube toward the driver side wheel to create clearance for the engine cover.
- C) Mount the Ball Stud Socket Bracket with Socket (part # 116055) to the intake manifold with the U-Clamp (part # 116054). Use Thread Locker on the setscrew. Align the edges of the Socket Bracket as show in Figures below.



Note: For optimal fitment of “U” clamp, depending on the build date of your vehicle, some cars require trimming of the lip from the bottom side of the intake manifold with a razor blade, this will allow the clamp to fit flat against the manifold.

D) Relocate the screw location of the factory air inlet clamp at the throttle body. Loosen the clamp screw and cut off the rubber knobs on the air inlet tube (top and bottom of tube), allowing the clamp to rotate counter clockwise. **Rotating this clamp allows clearance needed for the engine cover.**



- E) Remove the two upper bolts securing the throttle body to the intake manifold and unplug vent tube from the air inlet.
- F) Attach the 4 Drain tubes (part# 183027) to the engine cover and secure them with the supplied Zip Ties (Part# 116053).

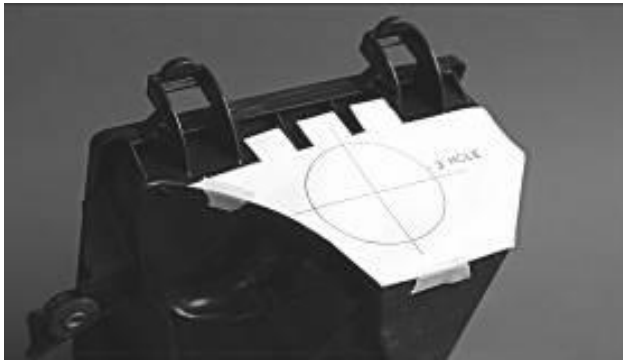
CD4II3AJ

- G) Install the Engine Cover Assembly onto the intake manifold. **IMPORTANT: Route drain tubes away from moving parts and hot surfaces!** Place the Ball Stud mounted to bottom of the Engine Cover, into the Ball Stud Socket. Run the factory throttle body bolts through the front Engine Cover Bracket, through throttle body and into their factory locations; torque to **89 lb-in**. Route the vent tube through passenger side hole on the front of Engine Cover and plug into its factory position on the air inlet tube. Route the Mass Air Flow Sensor connector through the hole on driver side cover.



Cut hole in air box:

- A) Using the Air Box Template, mark and cut the hole in the lower air box.
B) Snap Lower Air Tube (part #115053) into air box.



Caution: It is very important that the hole in the air box is precisely cut to 3". We recommend using a 2 3/4" hole saw, then file by hand to achieve proper diameter.

- C) Re-install Factory Air Filter into factory air box.
D) Reinstall air filter housing top onto factory air box and snap locking tabs into place.
E) Reinstall air filter housing into vehicle.
F) Reconnect Mass Air Flow connector to sensor and factory air inlet to air filter housing.
G) Place the 3" Coupler with clamps (part #115056) onto Upper Air Tube (part #115054).

NOTE: Remove the inner spacer from the 3" Coupler BEFORE installation; it is not needed in this application.

- H) Slide Coupler half way over Lower Air Tube (part #115053), and tighten clamps.



- I) Verify Drain Tubes (part #115058) are routed and away from moving parts and hot surfaces.

CD4II3AJ

Installing the trim ring:

- A) Apply 3m Acrylic Bonding tape (part #950011) to bottom side of Upper Trim Ring. Sand area with 80-120 grit sand paper, clean with supplied Alcohol pack and allow time to dry, apply supplied Adhesion Promoter and allow time to dry, apply 3m tape. Press on tape with fingertips to set tape.
- B) Peel 3"-4" of the red backing from the Upper Trim Ring (part # 115051) and place in hood opening. Make sure to have the trim ring facing the correct way, the **notches in the part face the rear of the hood** on both upper and lower Trim Rings.

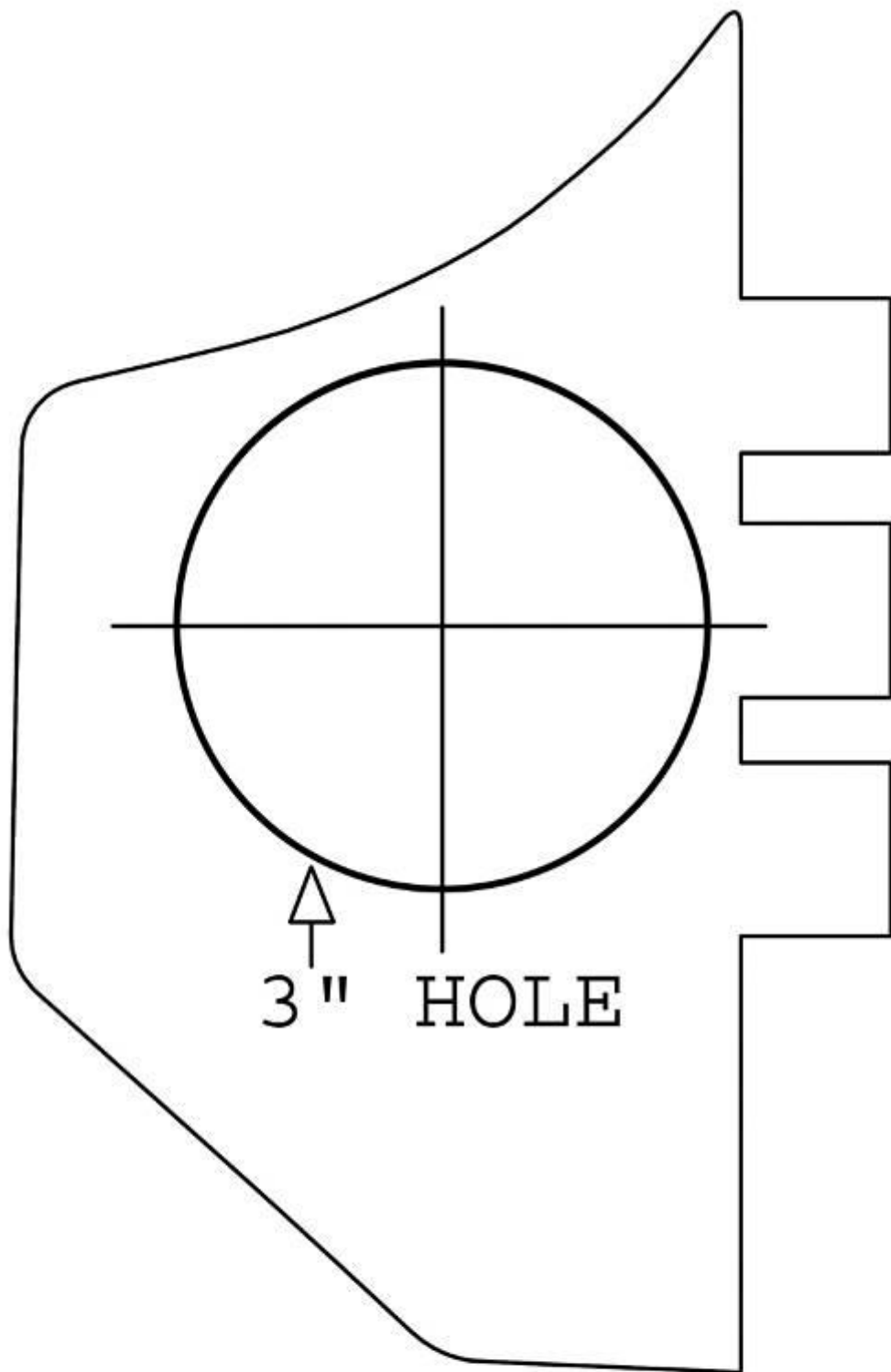


- C) Line up trim ring with the shaker hood scoop. When proper placement is achieved, finish peeling the red backing from acrylic bonding tape and press on trim ring to set tape to hood.
- D) Install the Lower Trim Ring onto the Upper Ring flange, squeeze until trim rings snap together. The Lower Trim Ring will hold the hood blanket in place around the opening.
- E) There are two 3/32" holes that are predrilled in the front and rear of the Upper and Lower Trim Rings (4 total). Use #183011 rivets to secure the Upper and Lower Trim Rings together.

Congratulations your installation is complete!



Thank you for choosing Classic Design Concepts for your restyling needs. If you have any questions or concerns regarding installation please contact Tech@classicdesignconcepts.com or call 866-624-7997.



05-09 Mustang
Shaker
Air Box Cut Out
6-8-05
CD4113AJ